

Technical Data

Environment:	indoors/outdoors
Ambient atmosphere:	industrial
Ambient temperature:	-25 ... +80 °C
Material:	stainless steel
Mounting:	from behind, 2 × M8 stainless steel bolts, A2-70 (fasteners not supplied)
Bolt extension:	18 mm ±1
Bolt diameter:	16 mm
Bolt orientation:	right

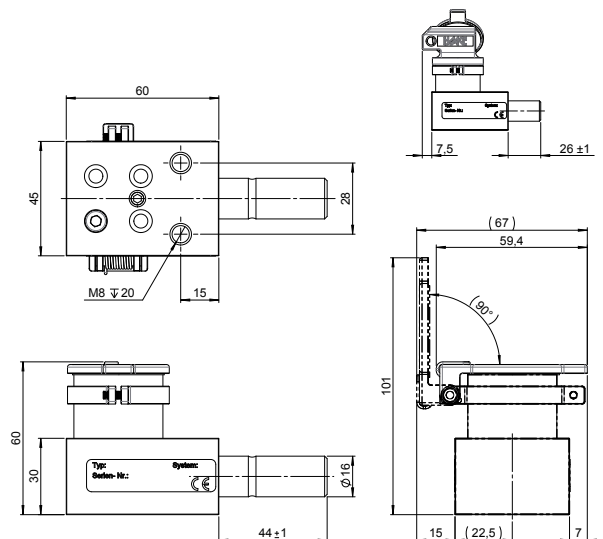
Intended use

The bolt interlock HST-B can be used to lock 'ON' or 'OFF' electrical switchgear circuit breakers, disconnectors and earthing devices, these items not being supplied by Haake and thus not being part of the key transfer system. By actuating the HST-B the bolt is extended according to the required safety function into a corresponding slot in a cam connected to the switchgear operating handle or toggle, thus actuation of the switchgear being prevented or allowed, respectively.

In conjunction with other components, the bolt interlock HST-B serves to safeguard precipitators, quarry machines, power plants etc.

Please note: Not admissible for interlocking guards or maintenance flaps or the like, since with open guard the bolt can be extended into the free space.

Dimensions



All dimensions in mm
General tolerances to DIN 2768-m

Functional diagram

