

Intended use

The HST-TZ2 door interlock comprises 2 locks and a slam-type locking catch mechanism. It is a guard-locking device and can be used on guards allowing full-body access and having blind spot areas.

The shown personnel key can only be removed, if before a correspondingly coded primary key has been inserted and trapped in the primary lock. The operator then removes the personnel key and takes it with him into the hazardous area. By removing the personnel key, the primary key inserted before is trapped in the guard-locking device HST-TZ2. It cannot be removed.

Locking the door is done in reverse fashion with the locking catch being inserted by pushing the safety door closed and inserting and turning the personnel key, and the primary key comes free.

If the guard locking device is used to protect access to a hazard, measures are required that secure that prior to access the hazardous movements are stopped, for instance by HST-S or HST-M devices.

In conjunction with other components, the guard locking device HST-TZ2 is used for locking guards in precipitators, quarry machines, or power plants etc.

Functional diagram



the guard locking device is closed, the personnel key is trapped

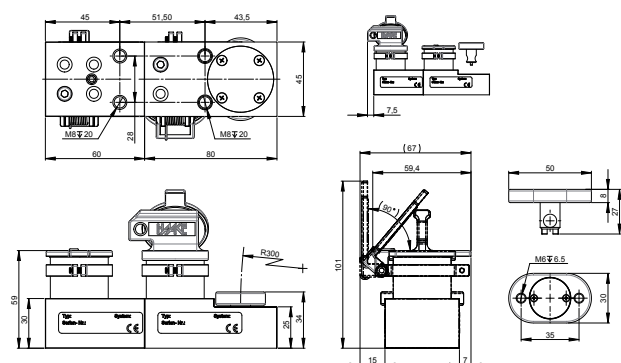


the guard locking device is open, the key is trapped
(Key not supplied)

Technical data

Environment:	indoors/outdoors
Ambient atmosphere:	industrial
Ambient temperature:	-25 ... +80 °C
Material:	stainless steel
Mounting lock portion:	from behind, 4 × M8 stainless steel bolts, A2-70
Mounting actuator:	from behind, 2 × M6 stainless steel bolts, A2-70 (fasteners not supplied)
Orientation actuator:	front right

Dimensions



All dimensions in mm
General tolerances to DIN 2768-m